

## intMPE MPCLVP Series Pumps for Slurry Applications



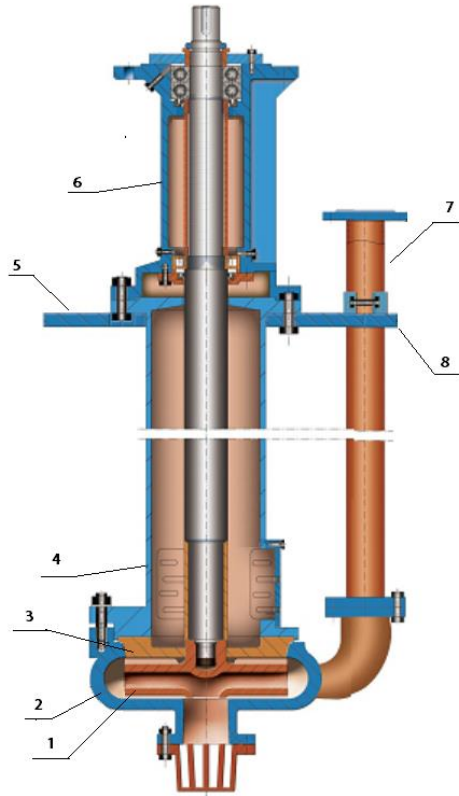
## STRUCTURAL DRAWING OF THE MPCLVP SERIES PUMPS

### FEATURES OF MATERIAL:

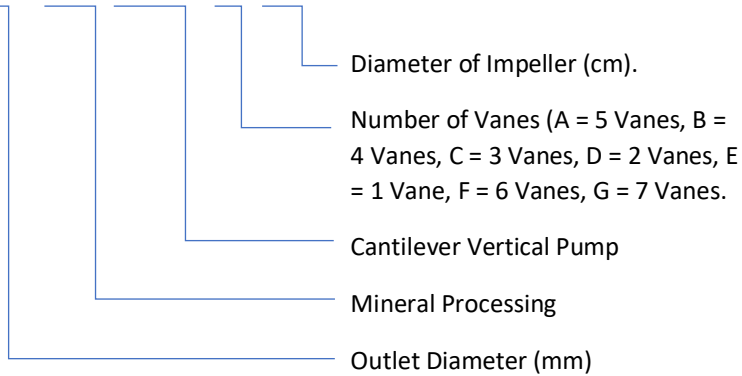
1. Hard Metals (many alloys).
2. High Abrasion Resistance Materials.
3. Corrosion Resistance Materials.
4. Rubber Wet End Material offered.

### FEATURES OF OPERATION:

1. High in Efficiency
2. Long Service Life
3. Steady Operation
4. Low Cost of Ownership



250 – MP-CLVP - A - 50



### COMPONENTS OR PARTS

1. Impeller
2. Volute Casing
3. Rear Liner Plate
4. Column Pipe
5. Mounting Base/Plate
6. Bearing Housing
7. Discharge Pipe/Flange



# GENERAL DESCRIPTION

## INTMPE PUMP DESCRIPTION

### GENERAL

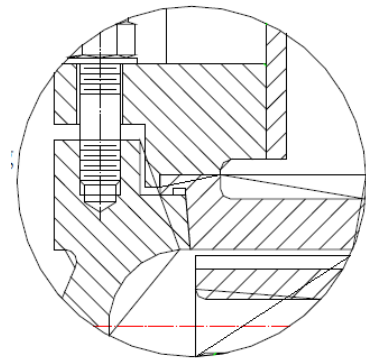
MPV series pumps are heavy-duty sump pumps, designed and built for abrasive applications. They are single-stage, single-suction, overhung, vertical, centrifugal pumps. MPV pumps feature a simple construction design, a single case without shaft seal. They are easy to install and easy to maintain. **ALL MPV PUMPS ARE ISO-9001 CERTIFIED.**

### SINGLE CASE CONSTRUCTION

MPV pumps have a single casing. However, the pump casing, cover and impeller are made of 28% chrome (ASTM A532) cast iron to ensure wear resistance. They are replaceable when worn out. Enough parts are stocked to ensure prompt delivery when ordered.

### CASE AND VOLUTE

The pump is of a single volute design. Hydraulically, it features a low constant radial load design. This feature is especially important since MPV pumps usually have a long over hung. Mechanically, it features a tapered fitting between the case and the cover for easy assembly and disassembly.



### IMPELLER

MPV pumps can have a closed impeller or an open impeller, depending on the application. The horsepower is transmitted through threads in the impeller. **No insert is placed for the thread.** The impeller has twisted vanes for high efficiency and good flow conditions to ensure even wear.

### SHAFT & SHAFT SEAL

MPV pumps have a heavy shaft since they usually have a long over hung. As a standard, there is no shaft seal. Pumping fluid can go into the pump from the drainer above the impeller due to the pumping out vanes. MPV pumps are designed for severe operating conditions. They can even run dry due to their rugged design.

### BEARING ASSEMBLY

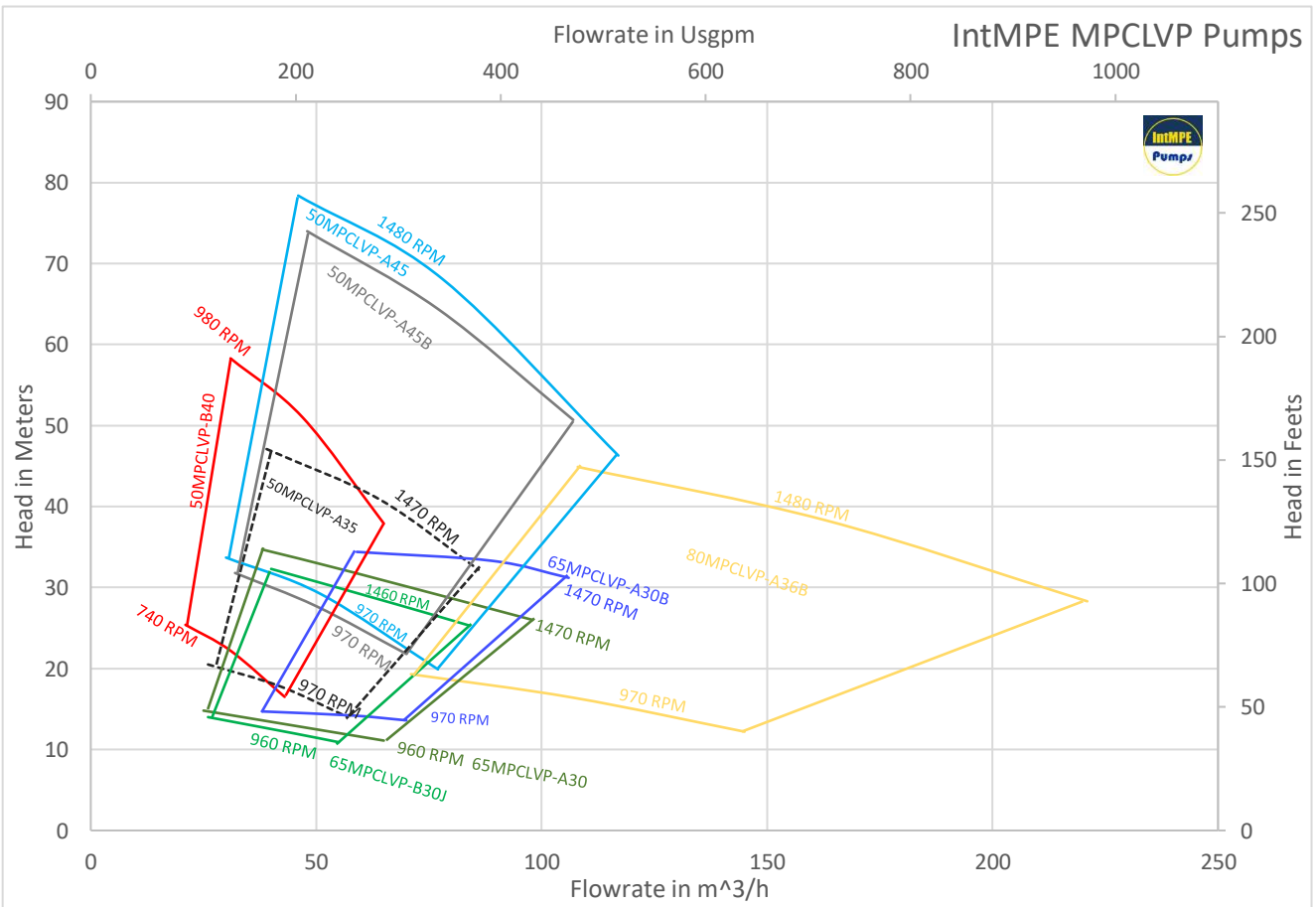
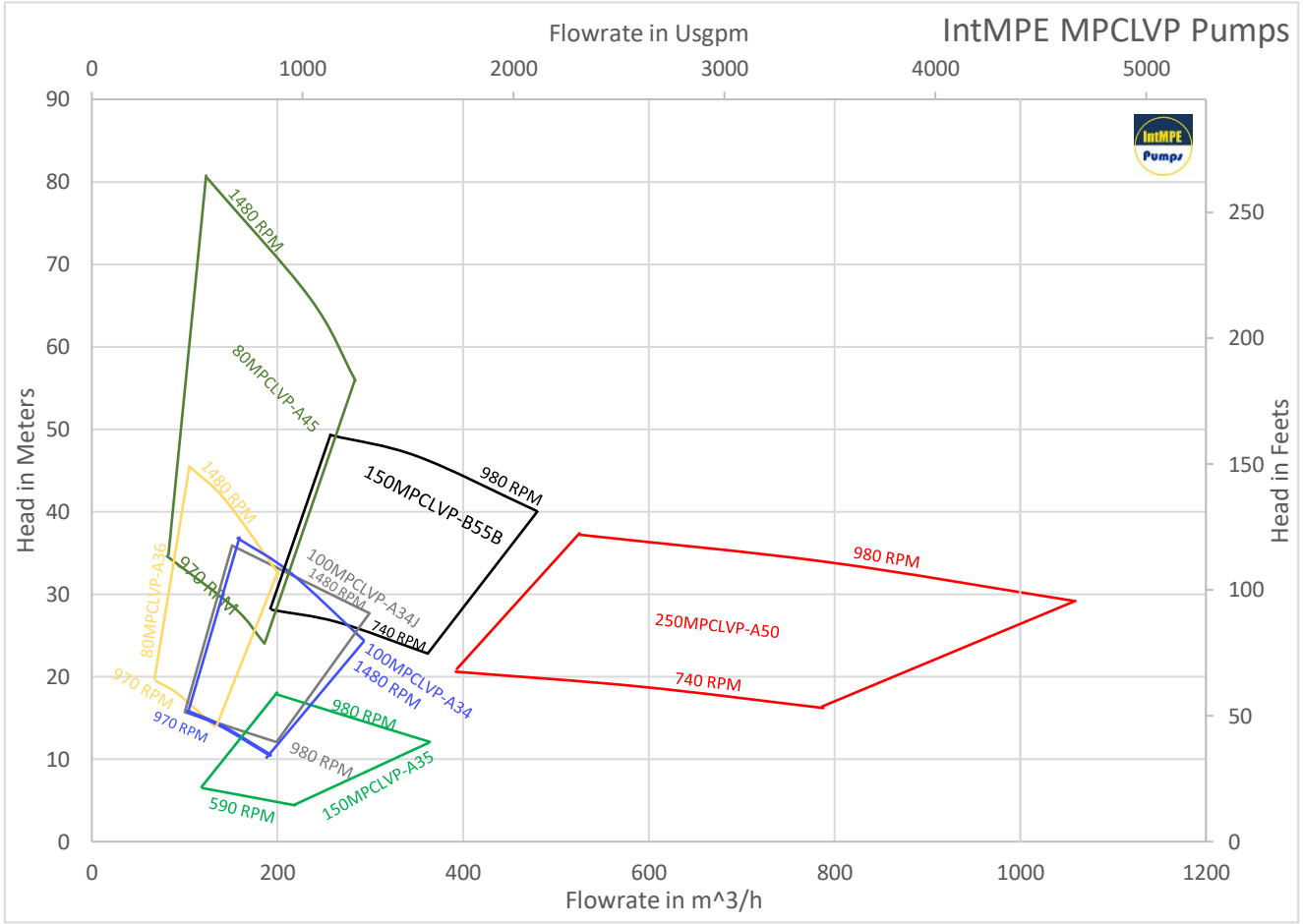
SKF bearings are used in the MP pumps. Bearing design life B10 is minimum 25,000 hours. The bearings are grease lubricated. The bearing housing has a large grease chamber to ensure adequate lubrication and bearing cooling.

### PUMP AND MOTOR CONNECTION

The pump and motor can be directly coupled or connected with belts. When they are connected with belts, the motor hangs on the bearing housing in a compact arrangement.



# PERFORMANCE CURVES (1, 2)





# PERFORMANCE TABLES (1)

Type/Model	Speed n	Capacity Q		Head H		Power of shaft		Eff %	Motors
	RPM	m3/h	Usgpm	Meters	Ft	kW	HP	%	
250MPCLVP-A50	980	526	2315	37.2	122	88	118	60.5	Y355M1-6 VI
		792	3486	33.9	111	105.1	141	69.5	480V / 60HZ
		1057	4653	29.2	96	119.4	160	70.5	380V / 160kW
	740	392	1726	20.6	68	36.4	49	60.5	Y315M-8 VI
		590	2597	18.8	62	43.4	58	69.5	480V / 60HZ
		788	3469	16.2	53	49.4	66	70.5	380V / 75kW
150MPCLVP-B55B	980	257	1131	49.3	162	63	84	54.8	Y315L1-6 VI
		351	1545	46.7	153	74.6	100	59.8	480V / 60HZ
		479	2109	40.1	132	92.4	124	56.6	380V / 110kW
	740	194	854	28.1	92	27	36	54.8	Y280M-8 VI
		265	1167	26.6	87	32.1	43	59.8	480V / 60HZ
		362	1594	22.8	75	39.7	53	56.6	380V / 45kW
150MPCLVP-A35	980	198	872	17.9	59	15.3	21	63.1	Y225M-6 VI
		332	1461	13.2	43	17.5	23	68.1	480V / 60HZ
		364	1602	12.1	40	18	24	66.8	380V / 30kW
	730	147	647	10	33	6.3	8	63.1	Y180L-8 VI
		247	1087	7.3	24	7.2	10	68.1	480V / 60HZ
		271	1193	6.7	22	7.4	10	66.8	380V / 11kW
	590	119	524	6.5	21	3.3	4	63.1	YJ60M-6 B3
		200	880	4.8	16	3.8	5	68.1	480V / 60HZ
		219	964	4.4	14	3.9	5	66.8	380V / 7.5kW
100MPCLVP-A34	1480	157	691	36.8	121	26.1	35	60.2	Y225M-4 VI
		214	942	32.6	107	29.2	39	65.1	480V / 60HZ
		293	1290	24.4	80	33.5	45	58.2	380V / 45kW
	970	103	453	15.8	52	7.4	10	60.2	YI80L-6 VI
		140	616	14	46	8.2	11	65.1	480V / 60HZ
		192	845	10.5	34	9.4	13	58.2	380V / J5kW
100MPCLVP-A34J	1480	151	665	35.9	118	26.6	36	55.5	Y225M-4 VI
		250	1101	30.4	100	32.1	43	64.4	480V / 60HZ
		299	1316	27.7	91	34.7	47	64.9	380V / 45kW
	980	100	440	15.7	51	7.7	10	55.5	YI80L-6 BS
		165	726	13.3	44	9.3	12	64.4	480V / 60HZ
		198	872	12.1	40	10.1	14	64.9	380V / 15kW
80MPCLVP-A45	1480	124	546	80.5	264	52.3	70	52.3	Y250M-4 VI
		235	1034	65.9	216	72.3	97	58.4	480V / 60HZ
		284	1250	55.9	183	82.4	110	52.5	380V / 75kW
	970	81	357	34.6	113	14.7	20	52.3	Y200L-6 VI
		154	678	28.3	93	20.3	27	58.4	480V / 60HZ
		186	819	24	79	23.2	31	52.5	380V / 22kW
80MPCLVP-A36	1480	105	462	45.5	149	25	34	52.1	Y225M-4 VI
		144	634	41.4	136	27.9	37	58.2	480V / 60HZ
		201	885	32.5	107	32.8	44	54.2	380V / 45kW
	970	69	304	19.5	64	7	9	52.1	YI80L-6 VI
		94	414	17.8	58	7.8	10	58.2	480V / 60HZ
		132	581	14	46	9.3	12	54.2	380V / 15kW



# PERFORMANCE TABLES (2)

Type/Model	Speed n	Capacity Q		Head H		Power of shaft		Eff %	Motors
	RPM	m3/h	Usgpm	Meters	Ft	kW	HP	%	
80MPCLVP-A36B	1480	108	475	44.9	147	26.6	36	49.7	Y225M-4 VI
		163	718	38.3	126	31.3	42	54.1	480V / 60HZ
		221	973	28.3	93	37.6	50	45.2	380V / 45kW
	970	71	313	19.3	63	7.5	10	49.7	Y180L-6 85
		107	471	16.4	54	8.8	12	54.1	480V / 60HZ
		145	638	12.2	40	10.6	14	45.2	380V / 15kW
65MPCLVP-A30	1470	38	167	34.7	114	8.2	11	43.7	Y J80M-4 VI
		58	255	31.9	105	9.7	13	51.9	480V / 60HZ
		98	431	26	85	13.4	18	51.7	380V / 18.5kW
	960	25	110	14.8	49	2.3	3	43.7	Y132M2-6 BS
		38	167	13.6	45	2.7	4	51.9	480V / 60HZ
		65	286	11.1	36	3.7	5	51.7	380V / 5.5kW
65MPCLVP-A30B	1470	59	260	34.4	113	11.2	15	49	Y180L-4 BS
		89	392	33.3	109	13.3	18	60.9	480V / 60HZ
		106	467	31.2	102	15.2	20	59.2	380V / 22kW
	970	38	167	14.7	48	3.1	4	49	YJ60M-6 BS
		58	255	14.2	47	3.7	5	60.9	480V / 60HZ
		70	308	13.6	45	4.4	6	59.2	380V / 7.5kW
65MPCLVP-B30J	1460	40	176	32.3	106	8.1	11	43.1	YI60L-4 BS
		68	299	27.9	92	10.6	14	49.1	480V / 60HZ
		84	370	25.3	83	12	16	48.3	380V / 15kW
	960	26	114	14	46	2.3	3	43.1	YJ32M2-6 BS
		45	198	12	39	3	4	46.1	480V / 60HZ
		55	242	10.9	36	3.4	5	48.3	380V / 5.5kW
50MPCLVP-A45	1480	46	202	78.4	257	29.3	39	33.7	Y2SOM-4 VI
		78	343	68.1	223	36.4	49	39.9	480V / 60HZ
		117	515	46.3	152	44.8	60	33	380V / 55kW
	970	30	132	33.7	111	8.2	11	33.7	YISOL-6 BS
		51	225	29.2	96	9.7	13	39.9	480V / 60HZ
		77	339	19.9	65	11.4	15	33	380V / 15kW
50MPCLVP-A45B	1480	48	211	74	243	29.3	39	35.5	Y250M-4 VJ
		77	339	64.4	211	34.4	46	39.1	480V / 60HZ
		107	471	50.7	166	40.6	54	36.5	380V / 55kW
	970	32	141	31.8	104	8.2	11	35.5	YI80L-6 B5
		50	220	27.7	91	9.7	13	39.1	480V / 60HZ
		70	308	21.8	72	11.4	15	36.5	380V / 15kW
50MPCLVP-B40	1470	31	136	58.3	191	16.5	22	29.9	Y200L-4 VI
		47	207	51	167	19.1	26	34.1	480V / 60HZ
		65	286	37.9	124	22.2	30	30.3	380V / 30kW
	970	21	92	25.4	83	4.9	7	29.9	Y160L-6 BS
		31	136	22.2	73	5.5	7	34.1	480V / 60HZ
		43	189	16.5	54	6.4	9	30.3	380V / 11kW
50MPCLVP-A35	1470	39	172	47.1	154	11.9	16	42.1	YISOL-4 VI
		64	282	40.9	134	14.8	20	48.1	480V / 60HZ
		86	379	32.2	106	17.5	23	43.1	380V / 22kW
	970	26	114	20.5	67	3.4	5	42.1	Y160M-6 BS
		42	185	17.8	58	4.2	6	48.1	480V / 60HZ
		57	251	14	46	5	43.1	380V / 7.5kW	

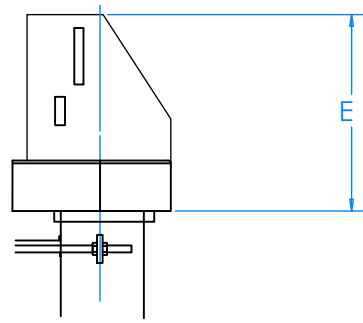


# PERFORMANCE TABLES (3)

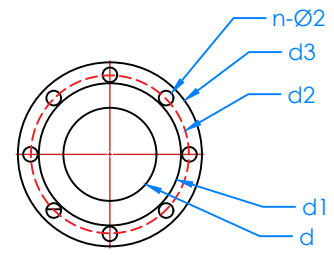
Type/Model	Speed n	Capacity Q		Head H		Power of shaft Pa		Eff %	Motors
	RPM	m3/h	Usgpm	Meters	Ft	kW	HP	%	
50MPCLVP-A35B	1470	36	158	46.5	153	11.5	15	39.4	YI 80L-4 B5
		60	264	40.1	132	14.6	20	45.1	480V / 60HZ
		73	321	35.4	116	16.3	22	43.2	380V / 22kW
	970	24	106	20.2	66	2.3	3	39.4	YI60M-6
		40	176	17.5	57	4.1	5	45.1	480V / 60HZ
		48	211	15.4	51	4.7	6	43.3	B5 380V / 7.5kW
50MPCLVP-A20	1440	17	75	10.7	35	1.4	2	34.9	YI I2M-4 BS
		25	110	9.2	30	1.6	2	38.6	480V / 60HZ
		38	167	6	20	2	3	31.2	380V / 4kW
	910	11	48	4.3	14	0.4	1	34.9	Y90L-6 BS
		16	70	3.7	12	0.4	1	38.6	480V / 60HZ
		24	106	2.4	8	0.5	1	31.2	380V / 1.1kW
50MPCLVP-A20J	2950	37	163	46.2	152	16.9	23	27.6	Y200LI -2 VI
		56	247	38.3	126	17.3	23	33.8	480V / 60HZ
		70	308	24.3	80	18	24	25.6	380V / 30kW
	1440	18	79	11	36	2	3	27.6	YII2M-4 BS
		28	123	9.1	30	2.1	3	33.8	480V / 60HZ
		34	150	5.8	19	2.1	3	25.6	380V / 4kW
40MPCLVP-A35	1470	19.7	87	48	157	8.8	12	29.2	Y180M-4 BS
		39.4	173	41.7	137	11.6	16	38.7	480V / 60HZ
		47.6	210	35.8	117	12.6	17	36.7	380V / 18.5kW
	960	12.9	57	20.5	67	2.5	3	29.2	YI32M2-6 BS
		25.7	113	17.8	58	3.2	4	38.7	480V / 60HZ
		31.1	137	15.3	50	3.5	5	36.7	380V / 5.5kW
40MPCLVP-B25	1440	10.1	44	21.5	71	2.3	3	26.1	Y112M-4 BS
		18.4	81	19	62	2.6	3	36.6	480V / 60HZ
		22.9	101	16.8	55	2.8	4	37.6	380V / 5.5kW
	940	6.6	29	9.2	30	0.6	1	26.1	YI00L-6 85
		12	53	8.1	27	0.7	1	36.6	480V / 60HZ
		14.9	66	7.2	24	0.8	1	37.6	380V / 1.5kW
40MPCLVP-B25B	1440	10.2	45	19.2	63	2.5	3	21.4	YI32S-4 BS
		19.6	86	16.5	54	2.9	4	30.4	480V / 60HZ
		24.2	107	14.8	49	3.1	4	31.5	380V / 5.5kW
	940	6.6	29	8.1	27	0.7	1	21.4	YI00L-6 BS
		12.8	56	7	23	0.8	1	30.4	480V / 60HZ
		15.8	70	6.3	21	0.9	1	31.5	380V / 1.5kW
40MPCLVP-A21	1440	9.5	42	17	56	1.6	2	27.9	YII2M-4 VI
		20.3	89	15.3	50	2	3	42.4	480V / 60HZ
		25.9	114	14.1	46	2.2	3	44.6	380V / 4.0kW
	910	6	26	6.8	22	0.4	1	27.9	Y90L-6 Vt
		12.8	56	6.1	20	0.5	1	42.4	480V / 60HZ
		16.4	72	5.6	18	0.6	1	44.6	380V / 1.1kW
40MPCLVP-A21B	1440	11.9	52	14.6	48	1.6	2	28.8	YI 12M-4 BS
		19.9	88	12.8	42	1.9	3	36.6	480V / 60HZ
		25.2	111	10.8	35	2	3	36.3	380V / 4kW
	910	7.5	33	5.8	19	1.6	2	28.8	Y90L-6 BS
		12.6	55	5.1	17	1.9	3	36.6	480V / 60HZ
		15.9	70	4.3	14	2	3	36.3	380V / 1.1kW



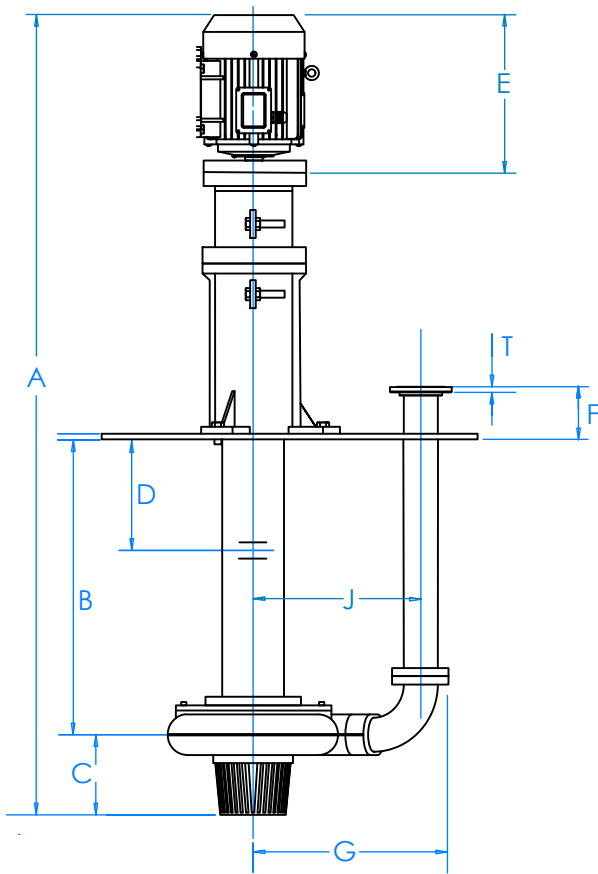
# DIMENSIONAL DRAWING



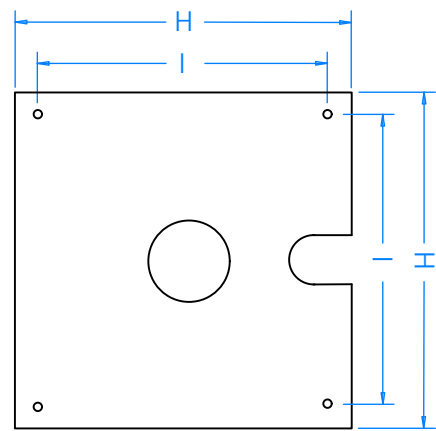
BELT DRIVE TYPE



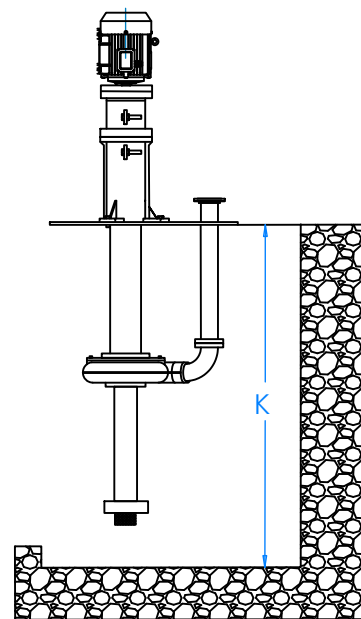
OUTLET FLANGE



STANDARD SUCTION



SUPPORTING PLATE



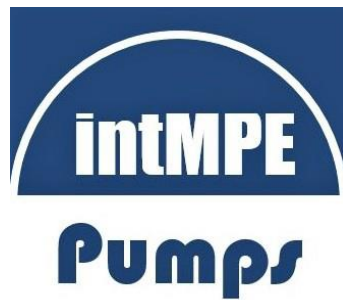
LENGTHENED SUCTION PIPE



# DIMENSIONAL TABLE

Type/Model	Motor Power	A	B	C	D	E	F	G	H	I	J	n-Ø1	Outlet Flange						Weight With Motor	K
													d	d1	d2	d3	n-Ø2	T		
250MPCLVP-A50	6P - 160 Kw	4022	1400	410	350	1290	290	808	1130	1030	610	35	250	322	350	395	12 - Ø22	22	2576	7000
	8P - 75 Kw	3762				1030													2112	
150MPCLVP-B55B	6P - 110 Kw	3862	1339	360	350	1200	460	649	1130	1030	525	25	150	200	225	260	8 - Ø18	22	2576	7000
	8P - 45 Kw	3762				1030													2112	
150MPCLVP-A35	6P - 30 Kw	2993	1054	360	350	795	216	610	1150	1080	480	25	150	200	225	260	8 - Ø18	22	1211	7000
	8P - 11 Kw	2828				660													1105	
	6P - 11 Kw	2674				702													1046	
100MPCLVP-A34	4P - 45 Kw	2930	1036	310	350	795	216	573	1180	1110	470	25	100	145	170	205	4 - Ø18	20	1183	7000
	6P - 15 Kw	2765				660													1036	
100MPCLVP-A34J	4P - 45 Kw	2930	1036	310	350	795	216	573	1180	1110	470	25	100	145	170	205	4 - Ø18	20	1183	7000
	6P - 15 Kw	2765				660													1036	
80MPCLVP-A45	4P - 75 Kw	3186	1185	316	350	980	140	587	1050	1110	487	25	100	145	170	205	4 - Ø18	20	1183	7000
	6P - 30 Kw	3166				795													1036	
80MPCLVP-A36	4P - 45 Kw	2887	1033	270	350	795	207	543	1120	1050	450	25	80	125	150	185	4 - Ø18	18	993	7000
	6P - 15 Kw	2722				660													864	
80MPCLVP-A36B	4P - 45 Kw	2887	1033	270	350	795	207	543	1120	1050	450	25	80	125	150	185	4 - Ø18	18	993	7000
	6P - 15 Kw	2722				660													864	
65MPCLVP-A30	4P - 18.5 Kw	2673	1033	270	350	620	207	416	712	672	336	22	65	115	130	160	4 - Ø14	20	703	7000
	6P - 5.5 Kw	2458				435													614	
65MPCLVP-A30B	4P - 18.5 Kw	2673	1033	270	350	620	207	416	712	672	336	22	65	115	130	160	4 - Ø14	20	703	7000
	6P - 5.5 Kw	2458				435													614	
65MPCLVP-B30J	4P - 15 Kw	2673	1100	322	350	702	207	429	712	672	336	22	65	118	145	185	4 - Ø14	20	634	7000
	6P - 5.5 Kw	2458				435													575	
50MPCLVP-A45	4P - 55 Kw	2695	1222	278	350	895	132	530	1120	1050	448	25	50	99	125	165	4 - Ø18	20	966	7000
	6P - 7.5 Kw	2740				495													679	
50MPCLVP-A45B	4P - 55 Kw	2780	1222	278	350	895	132	530	1120	1050	448	25	50	99	125	165	4 - Ø18	20	966	7000
	6P - 7.5 Kw	2675				495													679	
50MPCLVP-B40	4P - 30 Kw	2780	1160	290	350	665	212	473	880	820	390	25	50	99	125	165	4 - Ø18	20	885	7000
	6P - 11 Kw	2675				540													771	
50MPCLVP-A35	4P - 22 Kw	2865	1227	274	350	600	212	475	880	820	392	25	50	99	125	165	4 - Ø18	20	782	7000
	6P - 7.5 Kw	2740				495													706	
50MPCLVP-A35B	4P - 22 Kw	2780	1227	274	350	600	212	475	880	820	392	25	50	99	125	165	4 - Ø18	20	782	7000
	6P - 7.5 Kw	2657				495													706	
50MPCLVP-A20	4P - 4 Kw	1941	819	195	350	340	136	321	600	540	252	19	50	90	110	140	4 - Ø14	16	293	6000
	6P - 1.1 Kw	1881				290													275	
50MPCLVP-A20J	2P - 30 Kw	2613	900	300	350	665	141	336	680	620	253	19	50	99	125	165	4 - Ø18	20	805	7000
	4P - 4 Kw	2238				340													619	
40MPCLVP-A35	4P - 18.5 Kw	3053	1500	210	350	560	210	431	830	820	366	22	40	72	100	130	4 - Ø14	16	672	6000
	6P - 5.5 Kw	2898				435													584	
40MPCLVP-B25	4P - 4 Kw	1886	826	210	350	340	184	334	600	540	244	25	40	72	100	130	4 - Ø14	16	352	6000
	6P - 1.5 Kw	1939				320													353	
40MPCLVP-B25B	4P - 4 Kw	1886	826	210	350	340	184	334	600	540	244	25	40	72	100	130	4 - Ø14	16	352	6000
	6P - 1.5 Kw	1939				320													353	
40MPCLVP-A21	4P - 4 Kw	1961	829	209	350	340	152	309	600	540	244	25	40	72	100	130	4 - Ø14	16	370	6000
	6P - 1.1 Kw	1901				290													345	
40MPCLVP-A21B	4P - 4 Kw	1961	829	209	350	340	152	309	600	540	244	25	40	72	100	130	4 - Ø14	16	370	6000
	6P - 1.1 Kw	1901				290													345	





## CORPORATE OFFICE

425m 3428 - 99 Street  
Edmonton, Alberta  
T6E-5X5  
TF: 1.877. **INTMPE** 73 / 1.877.246.8673  
Email: [crprt@intmpe.com](mailto:crprt@intmpe.com)  
[sales@intmpe.com](mailto:sales@intmpe.com)  
[quote@intmpe.com](mailto:quote@intmpe.com)  
  
[www.intmpe.com](http://www.intmpe.com)